

/ BROKK 300 PEDESTAL BOOM

The Brokk 300 Pedestal Boom is adapted to suit primary breaking at mobile crushers, jaw crushers and grizzlies, the great flexibility makes it optimal for underground and confined space applications. The option of easy attachment changes and remote maneuvering with video and audio feedback makes it the ultimate plug-and-play solution for rock breaking at crushers and grizzlies.

- Small footprint
- 360 degrees slewing
- Perfect for spaces with low headroom
- Plug-and-play solution



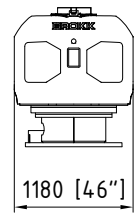
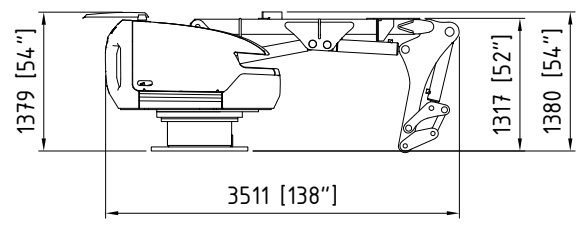
Hydraulic breaker in images: BHB 455
Load and stability diagram available on request



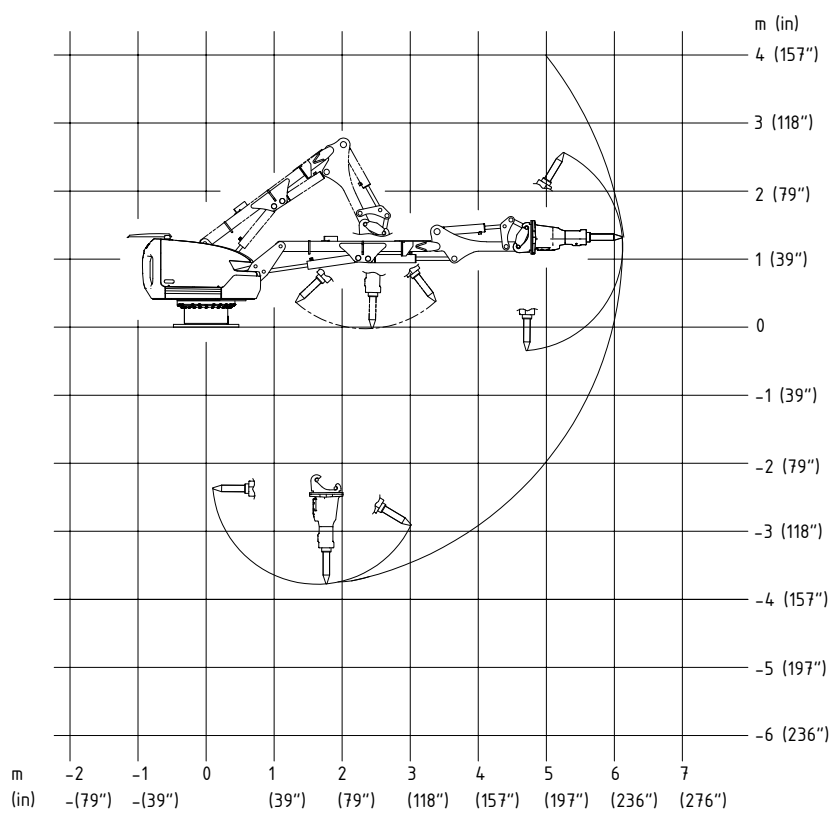
TECHNICAL DATA	
Slewing speed	16 sec/360°
Hydraulic system capacity	95 l; 25 US gal
Pump type	Variable load-sensing
System pressure	17 MPa; 2466 psi
Increased pressure to attachment	23 MPa; 3336 psi
Pump flow 50 Hz	100 l/min; 26 US gal/min
60 Hz	120 l/min; 32 US gal/min
Power*	37 kW
Recommended fuse size*	63 A
Machine weight**	2615 kg; 5765 lbs
Recommended attachment weight	500 kg; 1102 lbs

*Valid for 400 V/50 Hz and 440 V/60 Hz
 **Excluding options and attachment

SIZE



REACH



Tolerances for technical data may vary