

BROKK

120D

NEW 2016!

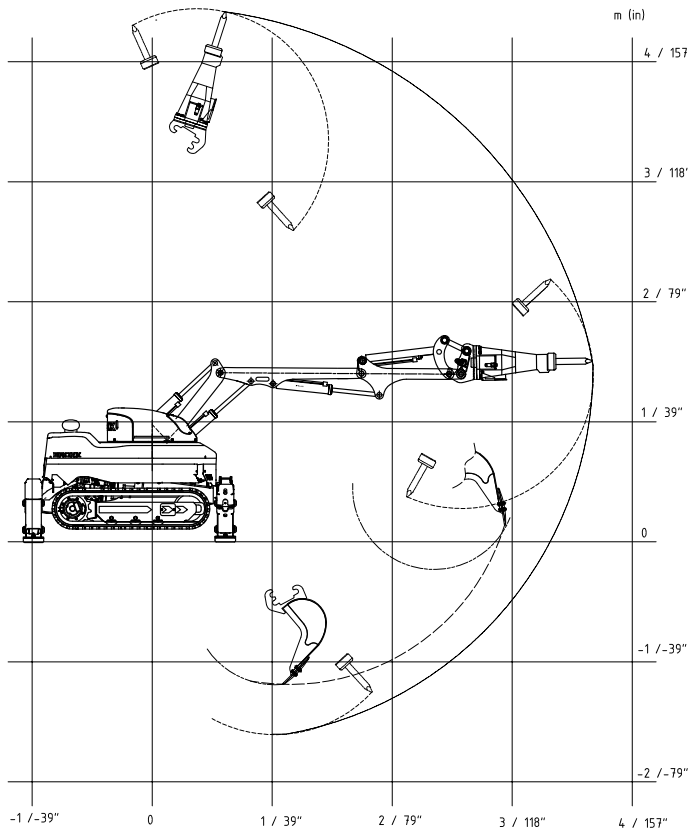


Cordless, Fearless, Relentless

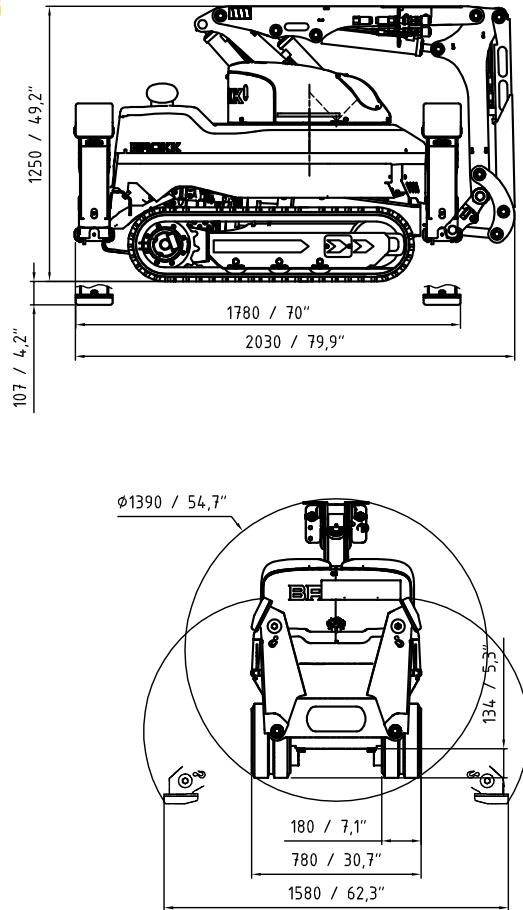
The **BROKK 120D** is flexibility without compromise. It's the world's smallest diesel-driven demolition machine. It's small size enables it to enter through any standard door opening and makes it easy to maneuver in tight spaces. Running cordless, it's driven by a powerful diesel engine that can operate for a minimum of eight hours without refueling. And all this flexibility comes without sacrificing any of the power or performance of its electrical sibling, the Brokk 100.

- World's smallest diesel-driven demolition machine
- Ideal for sites that lack a reliable power supply
- Tool compatibility with the Brokk 100
- Swift tracking speed for high mobility
- New rugged electrical system

RANGE



SIZE



TECHNICAL DATA

Hydraulic breaker in illustration SB 152
 Load and stability diagram can be ordered from Brokk AB

Performance

Slewing speed 10 sec/360°
 Transport speed, max. 3,0 km/h; 0,8 m/s; 1.9 mph
 Incline angle, max. 30°

Hydraulic system

Hydraulic system capacity 45 l; 11.8 US gal
 Pump type Gear pump with fixed displacement
 System pressure* 18 MPa; 2610 psi
 Pump flow max 50 Hz/60 Hz 50 l/min; 13.3 US gal/min

Diesel performance

Type Three-cylinder, water-cooled, 4-stroke engine
 Motor 18,5 kW; 24.8 hp diesel (EPA Tier 4)
 Fuel tank capacity 30 l; 7.9 US gal
 Engine oil volume with and without filter change 5,1 l; 1.35 US gal
 Oilflow 50 l/min; 13.2 US gal/min
 Freezing point -40°C; -40°F

Control system

Control type Portable control box
 Signal code Digital
 Transfer Radio

Weight

Weight of basic machine excl attachment & extra equipment 1 230 kg; 2 711 lbs
 Recommended attachment weight 160 kg; 352 lbs

Noise level

Sound power level Lwa, measured according to directive 2000/14/EC 101 dB(A)

*Hydraulic pressure can be increased depending on the attachment.

ACCESSORIES/OPTIONS

Arm System

Impact and heat protection for cylinder C2 and C3

Under carriage

Rubber caterpillar tracks
 Steel caterpillar tracks

Heat resistance

Heat resistant hoses for hydraulic breaker
 Forced draft cooling of machine
 Forced draft cooling of breaker

Other options

Air flushing through breaker to protect from dust
 Water spray through breaker to bind dust
 Brokk cover
 Extra hydraulic function
 Drainage hose
 CAN cable connection for tools

TOOLS

