

BROKK 70

NEW 2019!

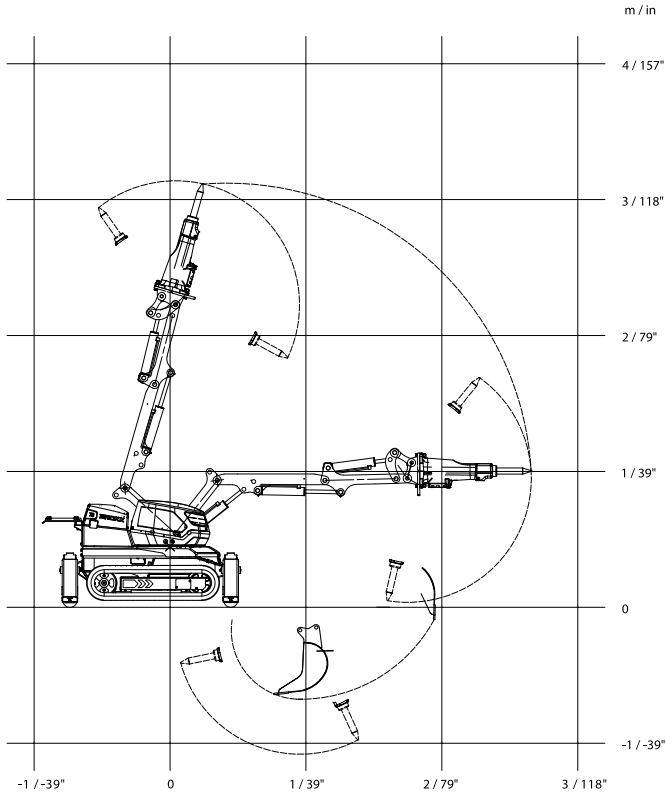


Great Power in Minimal Spaces

The new **BROKK 70** is the perfect solution for bringing safe and efficient demolition to the most confined spaces. Compared to its predecessor Brokk 60, the Brokk 70 packs more than 100% extra demolition power, comes with the latest innovative Brokk SmartPower™ technology and a fine-tuned hydraulic system that makes it smoother and faster to operate. Still, it keeps the same extremely compact dimensions. Weighing less than 560 kg it fits through the narrowest doorways and can be transported in an ordinary passenger elevator. A demolition robot that eliminates all need for manual demolition work.

- 100% more power!
- 9,8 kW Brokk SmartPower™ electric powertrain
- Outperforms 10 people with jackhammers
- Operates on just 16 A electrical fuse
- Extremely compact – gets through even the smallest of doorways

RANGE



m / in

4 / 157"

3 / 118"

2 / 79"

1 / 39"

0

-1 / -39"

-1 / -39°

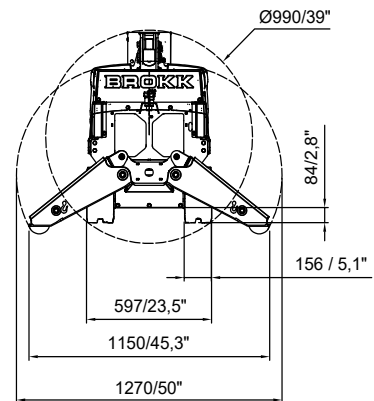
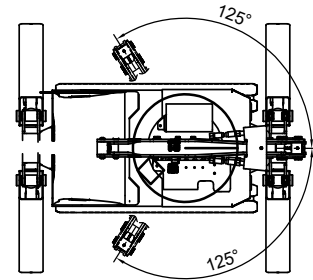
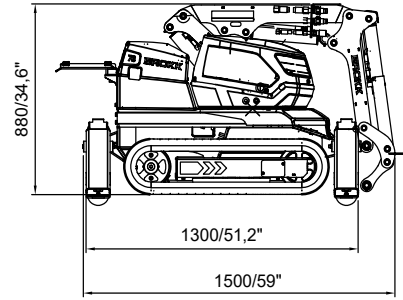
0

1 / 39°

2 / 79°

3 / 118°

SIZE



TECHNICAL DATA

Hydraulic breaker in illustrations	BHB 105
Load and stability diagram available on request	
Performance	
Slewing speed	6,5 s/245°
Transport speed, max.	2,7 km/h; 1,7 mph
Climbing inclination, max.	30°
Hydraulic system	
Hydraulic system capacity	27 l; 7,1 US gal
Pump type	Variable load-sensing
System pressure	18 MPa; 2 610 psi
Pump flow 50Hz and 60Hz	27 l/min; 7 US gal/min
Power system	
Power technology	SmartPower
Electric motor type	ABB
Power*	9,8 kW
Recommended fuse size*	16 A
Starting device	Direct start
Control system	
Control type	SmartRemote, portable
Signal code	Digital
Transfer	Professional radio/Cable
Range, radio	Up to 300 m
Weight	
Machine weight**	560 kg; 1 235 lb
Recommended attachment weight	105 kg; 231 lb
Noise level	
Sound power level LWA***	90 dB(A)

*Valid for 400V/50Hz and 440V/60Hz
 **Excluding attachment and extra equipment
 ***Measured according to directive 2000/14/EC

OPTIONS

- Arm System**
Impact and heat protection for cylinder C2 and C3
- Undercarriage**
Rubber caterpillar tracks
Steel caterpillar tracks
- Heat resistance**
Steel pads (for machines placed on hot ground)
Forced draft cooling of machine
Forced draft cooling of breaker
- Other options**
Extra hydraulic function
Water spray for breaker to bind dust
Lifting eyes (regular lifting points are standard)

TOOLS

