

BROKK 200

NEW 2018!

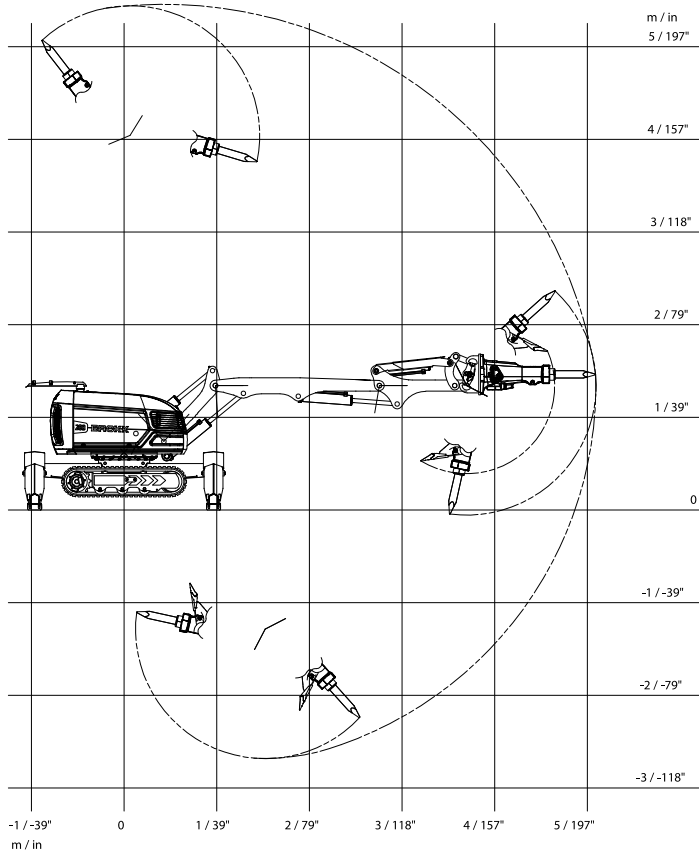


The Masterpiece of Muscle, Reach and Size

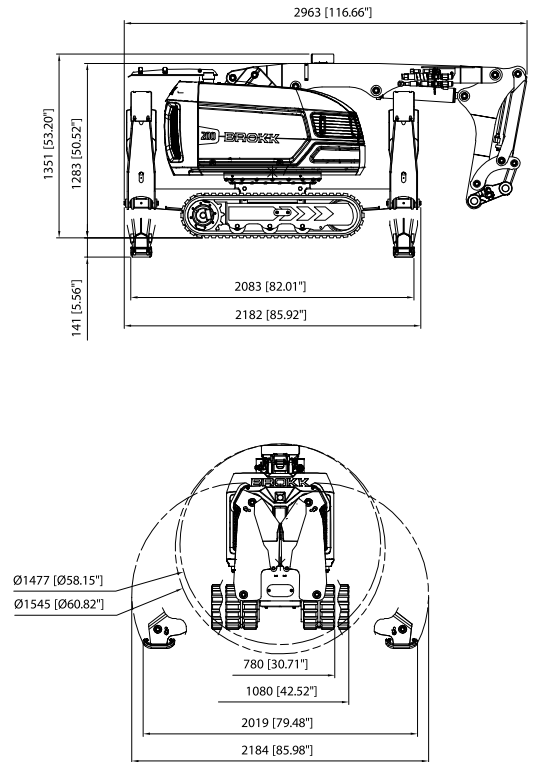
There is a new weight class in town. The all new **BROKK 200** breaks new ground, packing the power of the Brokk 280 into a 2,1 ton compact package. This 27,5 kW Brokk SmartPower™ machine carries tools one weight class above its size and brings the power to match it. Paired with the BHB 305 breaker or the all-new Darda CC480 crusher, it is a brutal demolition machine. And of course it comes with the new signature Brokk SmartDesign™ and SmartRemote™ capabilities.

- Demolition power of a 3 ton Brokk in a 2 ton package
- Exceptionally small footprint for its power and reach
- 27,5 kW Brokk SmartPower™ electrical system
- Brokk SmartDesign™ and SmartRemote™
- Built and optimized for heavy high-performance tools

RANGE



SIZE



TECHNICAL DATA

Hydraulic breaker in illustrations BHB 305
 Load and stability diagram available on request

Performance

Slewing speed 10 sec/360°
 Transport speed, max. 2,1 km/h; 1.3 mph
 Climbing inclination, max. 30°

Hydraulic system

Hydraulic system capacity 85 l; 22.5 US gal
 Pump type Variable load-sensing
 System pressure 18 MPa; 2 611 psi
 System pressure, increased to attachment, max. 25 MPa; 3 626 psi
 Pump flow 50Hz 85 l/min; 22 US gal/min
 60Hz 102 l/min; 27 US gal/min

Power system

Power technology SmartPower
 Electric motor type ABB
 Power* 27,5 kW
 Recommended fuse size* 63 A
 Starting device Soft start/Direct start

Control system

Control type SmartRemote, portable control
 Signal code Digital
 Transfer Professional radio/Cable
 Range, radio Up to 300 m

Weight

Machine weight** 2 100 kg; 4 630 lbs
 Recommended max. attachment weight 350 kg; 772 lbs

Noise level

Sound power level L_{WA} *** 87 dB(A)

*Valid for 400V/50Hz and 440V/60Hz
 **Excluding options and attachment
 ***Measured according to directive 2000/14/EC, excl. attachment

OPTIONS

Arm System

Impact and heat protection for cylinder C2 and C3

Undercarriage

Rubber caterpillar tracks
 Steel caterpillar tracks

Heat resistance

Heat resistant hoses for hydraulic breaker
 Forced draft cooling of machine
 Forced draft cooling of breaker
 Steel pads for kiln demolition or furnace

Other options

Air flushing through breaker to protect from dust
 Water spray through breaker to bind dust
 Counterweight
 Extra hydraulic function
 Cable reel with 60 m cable
 Drainage hose
 CAN cable connection for tools
 Lifting eyes (regular lifting points are standard)

TOOLS

