

# BROKK 300

NEW 2018!

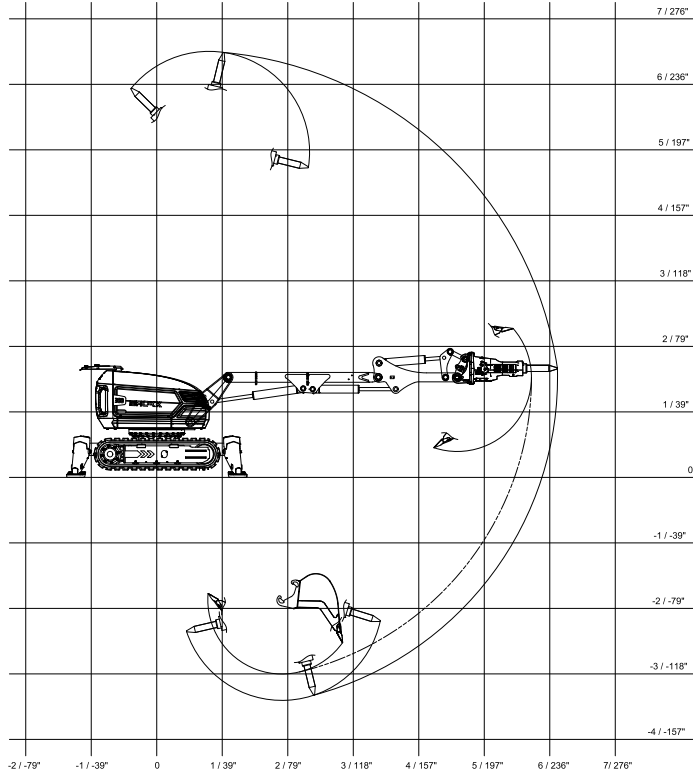


## The Evolution of a Legend in Power and Performance

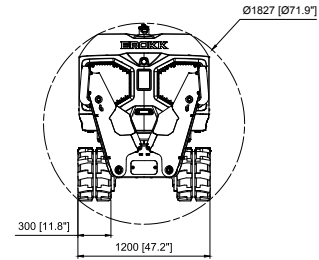
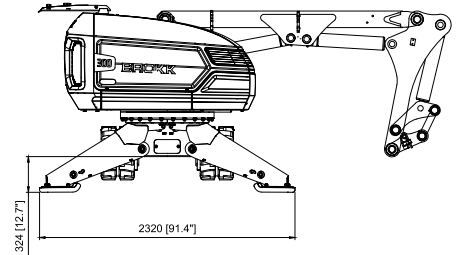
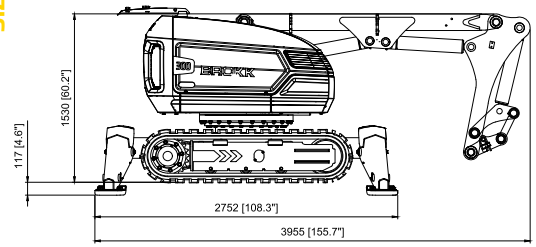
The all new **BROKK 300** is an impressive example of how quickly Brokk demolition robots evolve to meet the ever-increasing demands of the industry. This machine grew out of the legendary mid-sized Brokk machines, but Brokk SmartPower™ enabled it to take one big step up in power. Compared to its predecessor, the Brokk 300 brings a 40% stronger punch and it carries heavier and more powerful tools (BHB 455 and Darda CC580). With impressive power, reach and stability, this model is destined to become another legend in the industry.

- Outstanding all-around demolition versatility
- 37 kW Brokk SmartPower™ electrical system
- Brokk SmartDesign™ and SmartRemote™
- Heavier, more powerful tools
- Compatible with Brokk 280 attachments

## RANGE



## SIZE



## TECHNICAL DATA

Hydraulic breaker in illustrations BHB 455  
Load and stability diagram available on request

### Performance

Slewing speed 16 sec/360°  
Transport speed, max. 2,7 km/h; 1.7 mph  
Climbing inclination, max. 30°

### Hydraulic system

Hydraulic system capacity 95 l; 25 US gal  
Pump type Variable load-sensing  
System pressure. 18 MPa; 2 611 psi  
Increased pressure to attachment 23 MPa; 3 336 psi  
Pump flow 50Hz 100 l/min; 26 US gal/min  
60Hz 120 l/min; 32 US gal/min

### Power system

Power technology SmartPower  
Electric motor type ABB  
Power\* 37 kW  
Recommended fuse size\* 63 A  
Starting device Soft start/Direct start

### Control system

Control type SmartRemote, portable control  
Signal code Digital  
Transfer Professional radio/Cable  
Range, radio Up to 300 m

### Weight

Machine weight\*\* 3 650 kg; 8 047 lbs  
Recommended attachment weight 500 kg; 1 102 lbs

### Noise level

Sound power level  $L_{WA}$ \*\*\* 95 dB(A)

\*Valid for 400V/50Hz and 440V/60Hz

\*\*Excluding options and attachment

\*\*\*Measured according to directive 2000/14/EC, excl. attachment

## OPTIONS

### Arm System

Impact and heat protection for cylinder C2 and C3

### Undercarriage

Rubber caterpillar tracks  
Steel caterpillar tracks

### Heat resistance

Heat resistant hoses for hydraulic breaker  
Forced draft cooling of machine  
Forced draft cooling of breaker  
Steel pads for kiln demolition or furnace

### Other options

Air flushing through breaker to protect from dust  
Water spray through breaker to bind dust  
Counterweight  
Cable reel with 60 m cable  
Extra hydraulic function  
Drainage hose  
CAN cable connection for tools  
Lifting eyes (regular lifting points are standard)

## TOOLS

