

BROKK 60^{II}



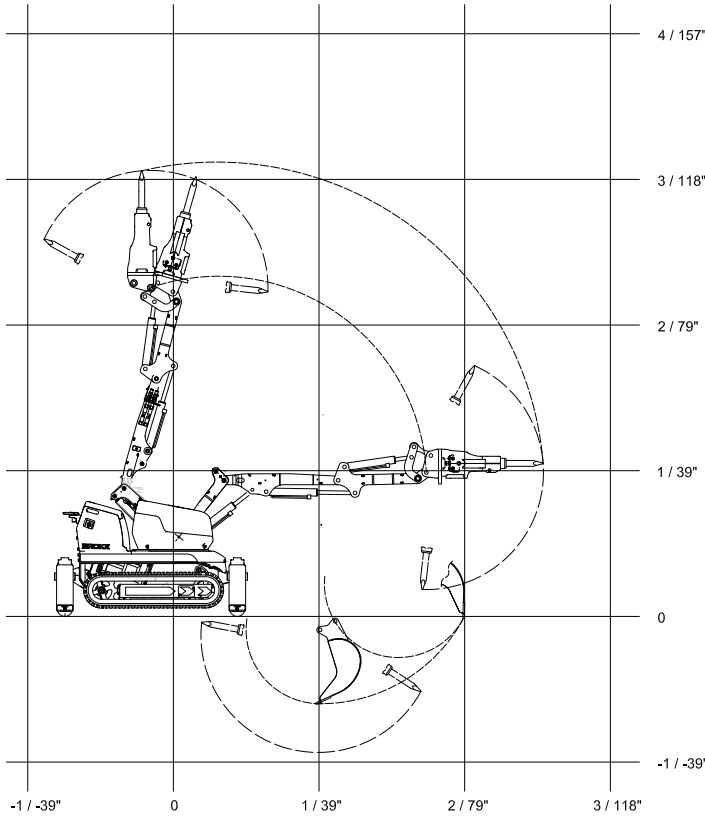
More Power in Minimal Spaces

The **BROKK 60^{II}** is the perfect solution for safe, efficient demolition in very confined spaces. Its combination of small size and lightweight power works wonders in places where it was previously impossible to do mechanized demolition work. Compared to its older brother, the Brokk 50, the 60^{II} boosts productivity by 25% with a stronger breaker, faster movement, new control system and smaller profile. The low weight makes it ideal for indoor work on weak floors, and it can be transported in an ordinary passenger elevator.

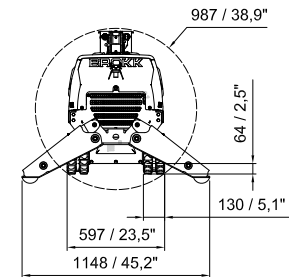
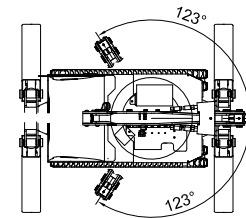
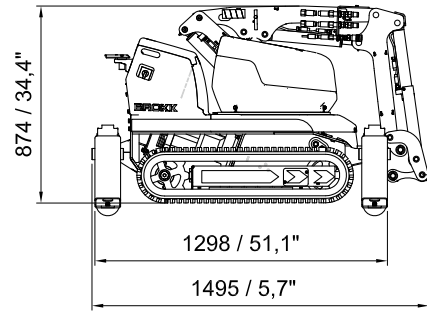
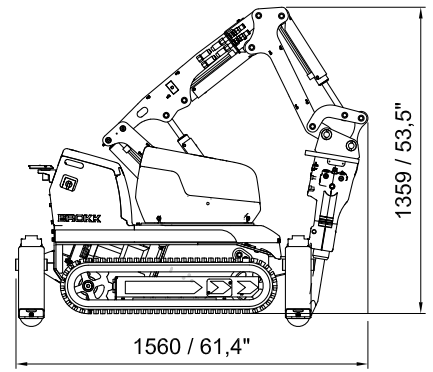
- The smallest remote-controlled demolition robot in the world
- Outperforms 5-10 people with jackhammers
- Brokk SmartRemote™
- Operates on just 16 A electrical fuse
- Access through even the smallest of doorways

m / in

RANGE



SIZE



TECHNICAL DATA

Hydraulic breaker in illustrations BHB 55
 Load and stability diagram available on request

Performance

Slewing speed 6,5 sec/245°
 Transport speed, max. 2,5 km/h; 1.6 mph
 Climbing inclination, max. 30°

Hydraulic system

Hydraulic system capacity 27 l; 7.1 US gal
 Pump type Gear pump with fixed displacement
 System pressure 18 MPa; 2 610 psi
 Pump flow max. 50Hz and 60Hz 22 l/min; 6 US gal/min

Power system

Electric motor type ABB
 Motor rating* 5,5 kW
 Rated current* 14 A
 Power consumption* 0.6 kW
 Starting device Direct start

Control system

Control type SmartRemote, portable control
 Signal code Digital
 Transfer Professional radio/Cable
 Range, radio Up to 300 m

Weight

Machine weight** 500 kg; 1 102 lb
 Recommended attachment weight 80 kg; 176 lb

Noise level

Sound power level L_{WA} *** 90 dB(A)

*Valid for 400V/50Hz and 440V/60Hz
 **Excluding options and attachment
 ***Measured according to directive 2000/14/EC, excl. attachment

OPTIONS

Arm System

Impact and heat protection for cylinder C2 and C3

Other options

Extra hydraulic function
 Forced draft cooling

TOOLS

