

/ BROKK 500 PEDESTAL BOOM

Adapted to suit primary breaking at jaw crushers and grizzlies, the Brokk 500 Pedestal Boom has the machine body of a Brokk robot mounted on a pedestal rather than tracks. This allows the machine to be installed in a stationary position close to the working area. The option of easy attachment changes and remote maneuvering with video and audio feedback makes it the ultimate plug-and-play solution for rock breaking at crushers and grizzlies.

- Small footprint
- 360 degrees slewing
- Perfect for spaces with low headroom
- Plug-and-play solution



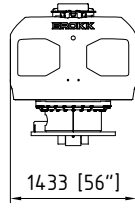
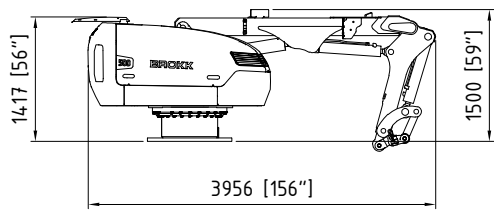
Hydraulic breaker in images: BHB 705
Load and stability diagram available on request



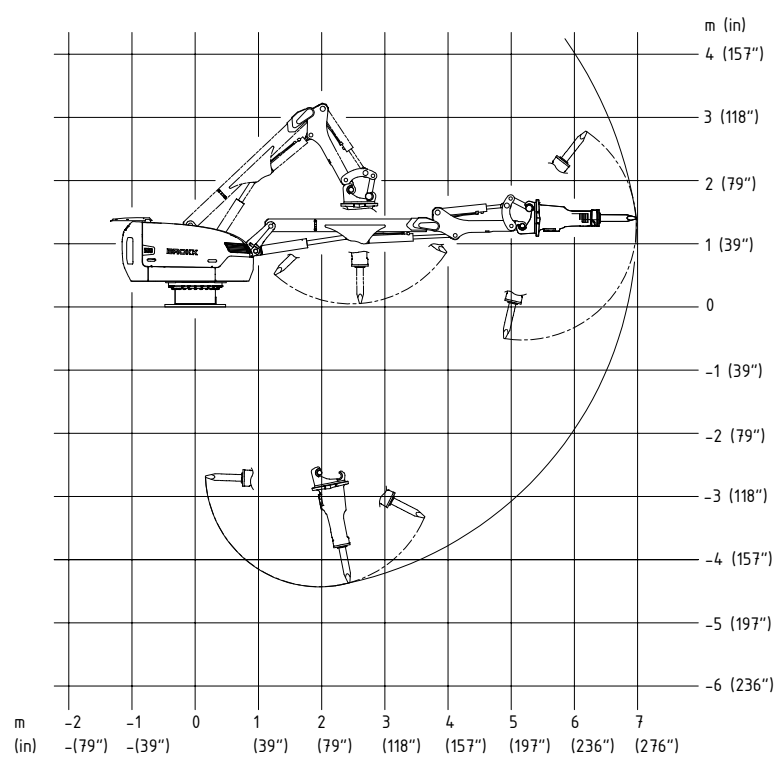
TECHNICAL DATA	
Slewing speed	16 sec/360°
Hydraulic system capacity	145 l; 38 US gal
Pump type	Variable load-sensing
System pressure	18 MPa; 2611 psi
Increased pressure to attachment	24 MPa; 3481 psi
Pump flow 50 Hz	115 l/min; 30 US gal/min
60 Hz	130 l/min; 34 US gal/min
Power*	41 kW
Recommended fuse size*	63 A
Machine weight**	3588 kg; 7910 lbs
Recommended attachment weight	700 kg; 1543 lbs

*Valid for 400 V/50 Hz and 440 V/60 Hz
 **Excluding options and attachment

SIZE



REACH



Tolerances for technical data may vary