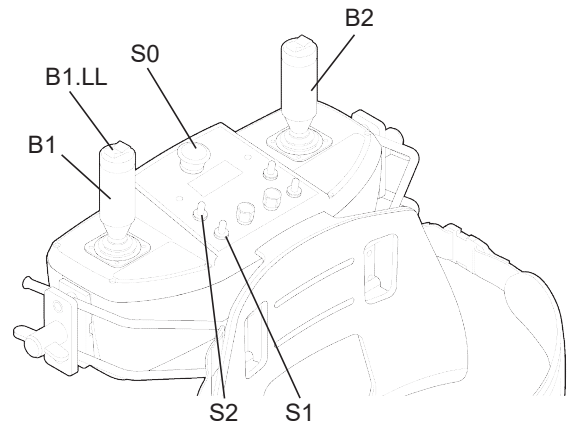


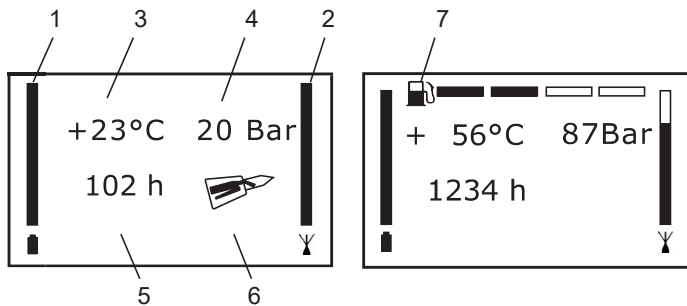
Menu management

Activation of the menu

- Pull up stop button S0
- Hold the left control lever pushbutton down B1.LL
- Press switch S1 up
- Scroll through the menu using the left control lever B1 up/down.
- Switch to the next menu using left control lever B1 right/left.
- Select ON/Off using switch S1.
- Save settings using switch S2.



The following information appears in the display window when radio contact has been established on an electrically powered or diesel powered machine



Display text	Description
1. Battery status	Scale 0-4 dashes 0 = low battery level 4 = full battery level
2. Radio signal quality (measured by the receiver)	Scale x, 1-4 dashes x = no signal 1 = very weak signal 4 = very strong signal
3. Oil temperature	xx°C
4. Oil pressure	xxx bar
5. Operating time	xxx h
6. Breaker lubrication	Breaker lubrication activated
7. Fuel level	Scale 0-4 dashes
Service Image	Service reminder, appears when service is required
Trouble codes	E01 – E58 see section "Troubleshooting"

MENU 1 - HAMMER LUBRICATION

Lubrication pump activated. The function engages automatically when selecting a single action tool, e.g. hydraulic breakers. The function can also be switched off for single action tools that do not require lubrication.

FUNCTION SELECTION	
1. HAMMER LUBRIC	ON
2. POWER LIMITING	OFF
3. WATER FLUSHING	OFF
4. ONE LEVER DRIVE	OFF
5. SERVICE RESET	OFF
SAVE (I) (M)	

MENU 1 -POWER LIMITING

Reduces power output so that, for example, 16 A socket can be used. Not applicable to all machine models.

FUNCTION SELECTION	
1. HAMMER LUBRIC	ON
2. POWER LIMITING	OFF
3. WATER FLUSHING	OFF
4. ONE LEVER DRIVE	OFF
5. SERVICE RESET	OFF
SAVE (I) (M)	

MENU 1 -WATER FLUSHING

Activate water flushing valve ON (when this is installed). Run together with tool.

FUNCTION SELECTION	
1. HAMMER LUBRIC	ON
2. POWER LIMITING	OFF
3. WATER FLUSHING	OFF
4. ONE LEVER DRIVE	OFF
5. SERVICE RESET	OFF
SAVE (I) (M)	

MENU 1 -ONE LEVER DRIVE

During single lever operation, this function is set to ON.

FUNCTION SELECTION	
1. HAMMER LUBRIC	ON
2. POWER LIMITING	OFF
3. WATER FLUSHING	OFF
4. ONE LEVER DRIVE	OFF
5. SERVICE RESET	OFF
SAVE (I) (M)	

MENU 1 -SERVICE RESET

Resetting after performed service, indicated on display.

FUNCTION SELECTION	
1. HAMMER LUBRIC	ON
2. POWER LIMITING	OFF
3. WATER FLUSHING	OFF
4. ONE LEVER DRIVE	OFF
5. SERVICE RESET	OFF
SAVE (I) (M)	