

# / BROKK 900 PEDESTAL BOOM

The advantages of a Brokk robot are many and in this modified solution the benefits become clear. The Brokk 900 Pedestal Boom allows you to apply the power and precision of Brokk's demolition robots to primary breaking tasks that feed gyratory crushers and grizzlies. The option of easy attachment changes and remote maneuvering with video and audio feedback makes it the ultimate plug-and-play solution for rock breaking at gyratory crushers and grizzlies.

- Small footprint
- 360 degrees slewing
- Perfect for spaces with low headroom
- Plug-and-play solution



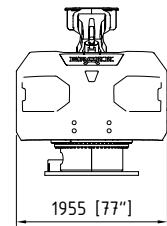
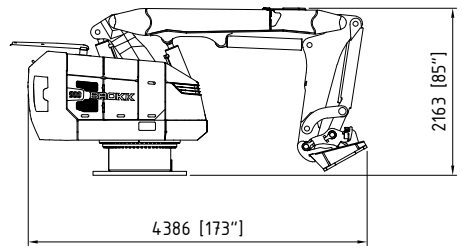
Hydraulic breaker in images: BHB 1500  
Load and stability diagram available on request



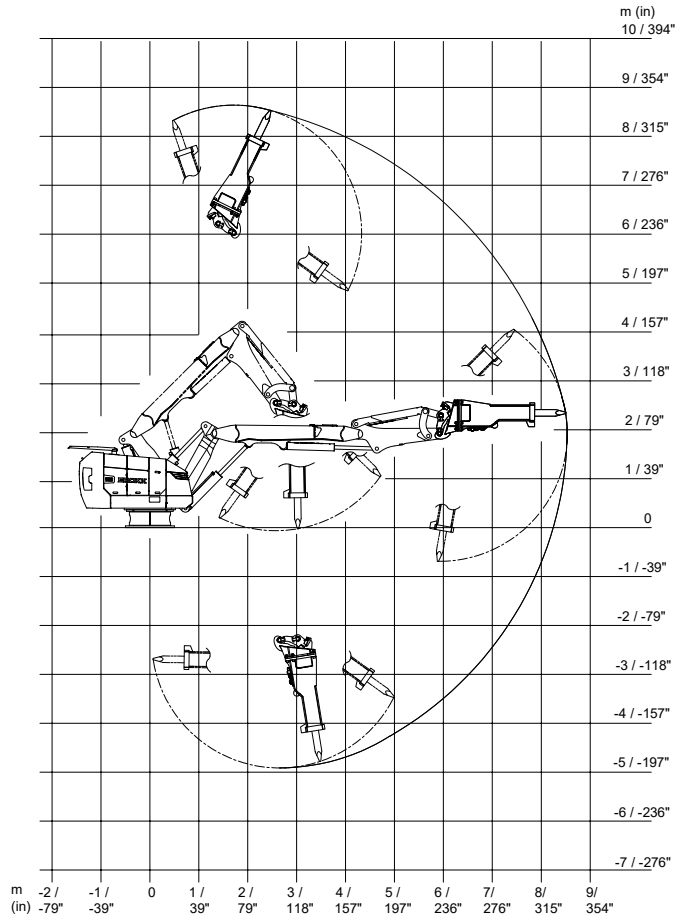
TECHNICAL DATA	
Slewing speed	16 sec/360°
Hydraulic system capacity	230 l; 60.8 US gal
Pump type	Variable load-sensing
System pressure	18.5 MPa; 2683 psi
Increased pressure to attachment	25 MPa; 3626 psi
Pump flow 50 Hz	148 l/min; 39 US gal/min
60 Hz	178 l/min; 47 US gal/min
Power*	71 kW
Recommended fuse size*	125 A
Machine weight**	7150 kg; 15,763 lbs
Recommended attachment weight	1500 kg; 3307 lbs

\*Valid for 400 V/50 Hz and 440 V/60 Hz  
 \*\*Excluding options and attachment

## SIZE



## REACH



Tolerances for technical data may vary